

ASSEMBLY INSTRUCTION

EMPIRE COLLECTION

EMPIRE DINING CHAIR (2 Per Carton)

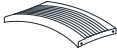
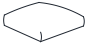
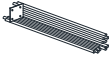
D2034-20






Thank you for purchasing this quality product. Be sure to check all packing materials carefully for small parts, which may have come loose inside the carton during shipment. Identify and count all items and compare with the parts list and/or hardware list shown below.

Please read all instructions carefully. See the hardware and furniture part listing for guidance. Be sure you have all parts listed before beginning assembly. Place all wooden parts on a clean, flat surface to protect the finish from scratches. Follow the diagram to assemble.

CAUTION

1. Do not fully tighten the nuts or bolts until the table is fully assembled.
2. Please tighten by hand, not by a drill. Overtightening will damage threads. Do not overtighten.
3. Keep all hardware out of the reach of children.

| PARTS LIST | | | |
|------------|-------------|--|-------|
| ITEM | DESCRIPTION | SKETCH | QTY |
| A | CHAIR BACK |  | 2 PCS |
| B | SEAT |  | 2 PCS |
| C | LEG |  | 4 PCS |

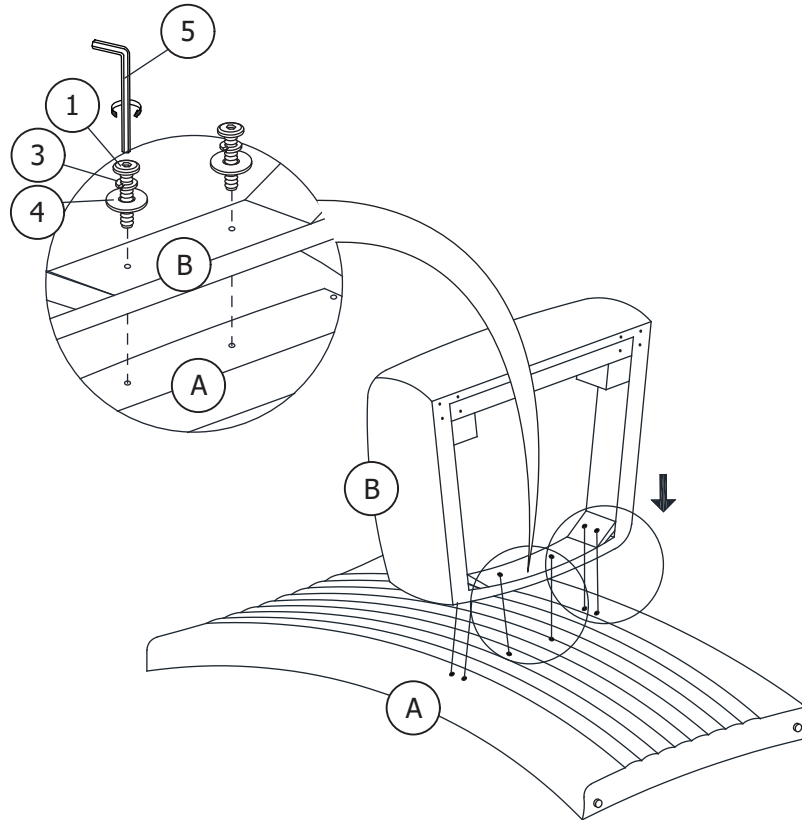
| HARDWARE LIST | | | |
|---------------|-------------------------|--|--------|
| ITEM | DESCRIPTION | SKETCH | QTY |
| 1 | SHORT BOLT M6 x 1 1/4" |  | 20 PCS |
| 2 | LONG BOLT M6 x 3 1/4" |  | 8 PCS |
| 3 | SPRING WASHER M6 x 1/2" |  | 28 PCS |
| 4 | FLAT WASHER M6 x 3/4" |  | 28 PCS |
| 5 | ALLEN KEY M4 x 4" |  | 1 PC |

HARDWARE DIMENSIONS
VERIFICATION TOOL



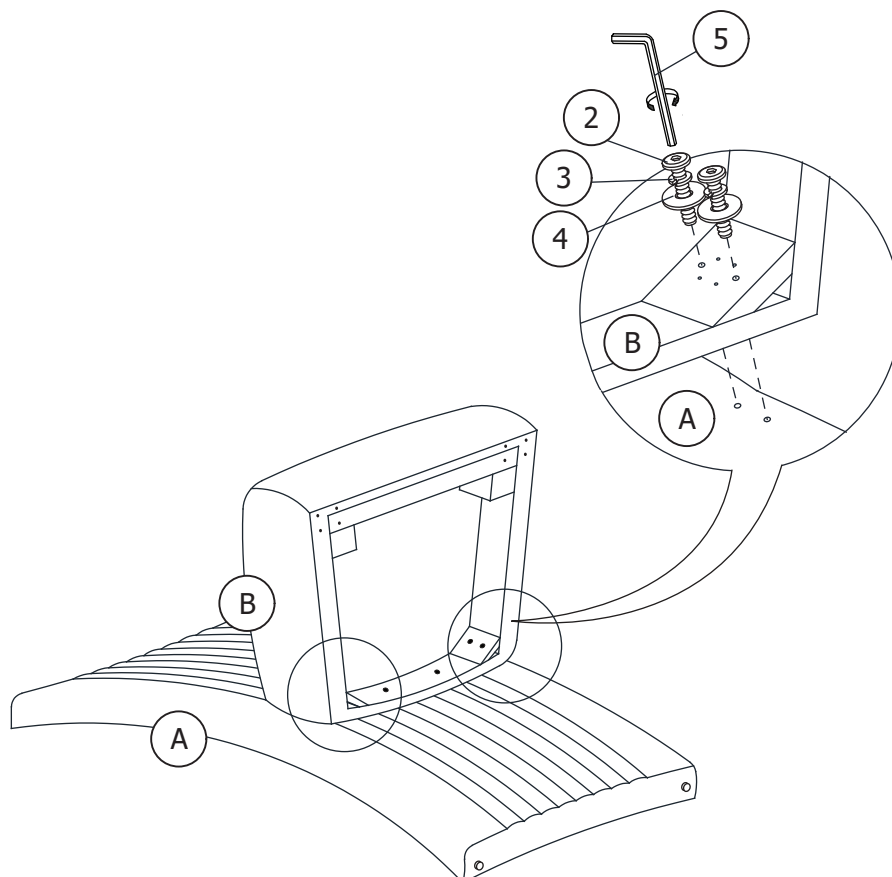
STEP 1: Place the Chair Back (A) on a soft and clean surface. Assemble the Seat (B) in the center the Chair Back (A) by using Allen Key (5) with hardware 1, 3, 4.

*Attention: DO NOT TIGHTEN THE BOLTS.

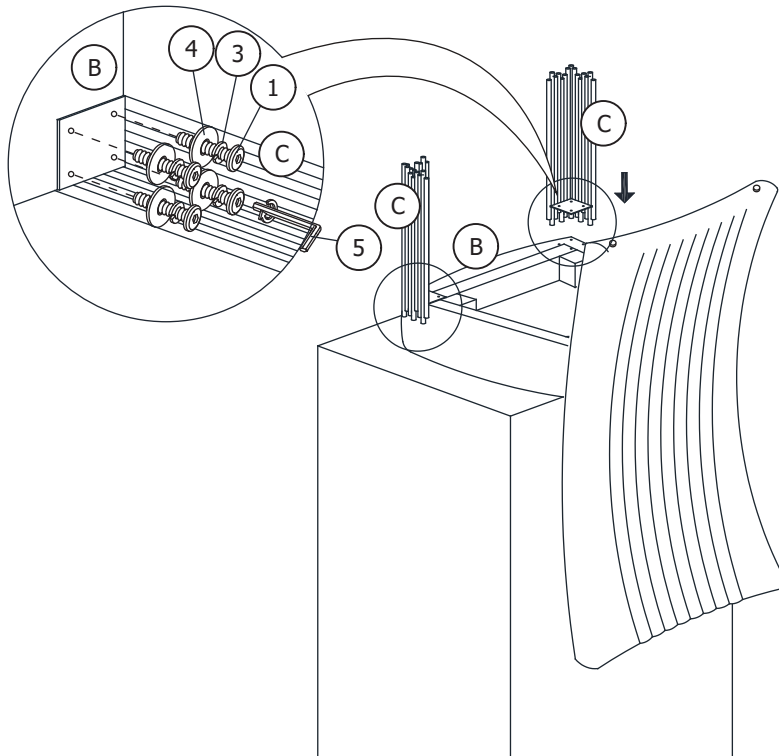


STEP 2: Assemble the Seat (B) with the Chair Back (A) by using Allen Key (5) with hardware 2, 3, and 4.

*Attention: DO NOT TIGHTEN THE BOLTS.

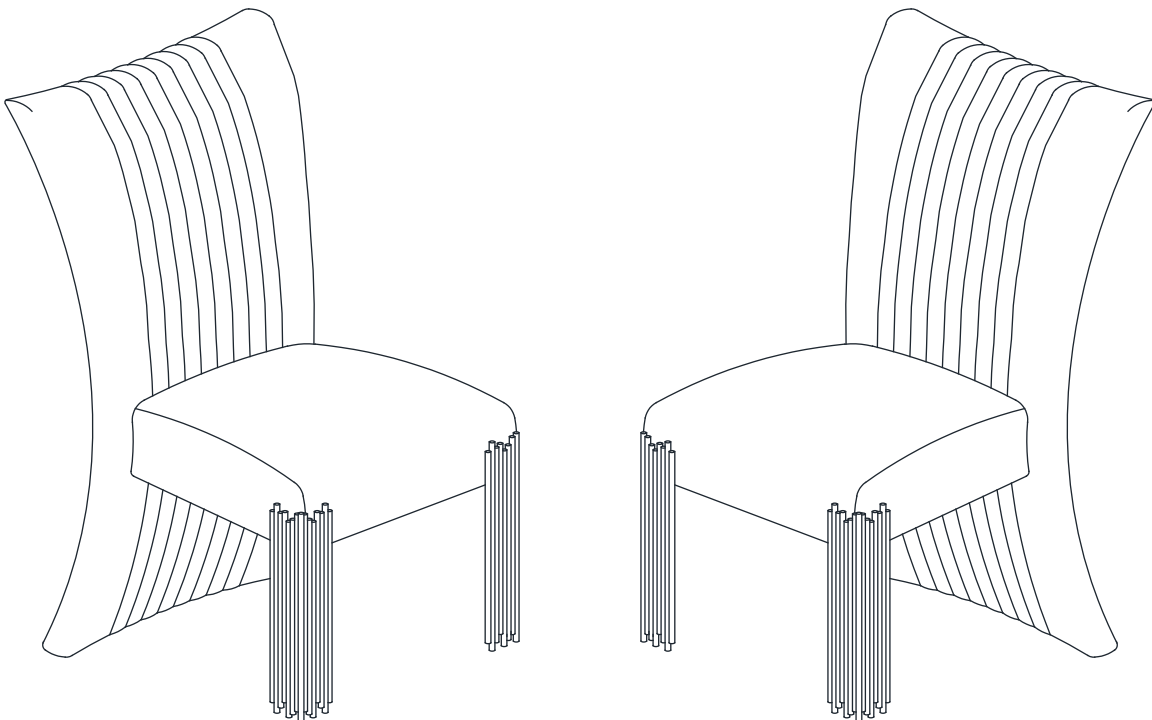


STEP 3: Attached the Leg (C) to the Seat (B) by using Allen key (5) with hardware 1, 3, and 4.
Repeat for each leg.



STEP 4:

FULLY SET-UP



ASSEMBLY COMPLETED
MADE IN MALAYSIA