

# Assembly Instructions


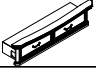
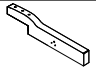
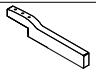
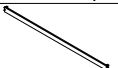


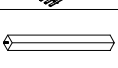
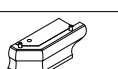
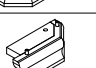
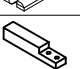
ITEM: B493 -310 LYNDHURST 5"0" Q HEADBOARD  
 B493 -328 LYNDHURST 5"0" Q STG FOOTBOARD & SLATS  
 B493 -330 LYNDHURST 5"0"/6"6" Q/EK RAILS

Thank you for purchasing this quality product. Be sure to check all packing materials carefully for small parts, which may have come loose inside the carton during shipment. Identify and count all items and compare with the PARTS LIST and/or HARDWARE LIST shown below.














Caution: Please read the instructions thoroughly before assembly.

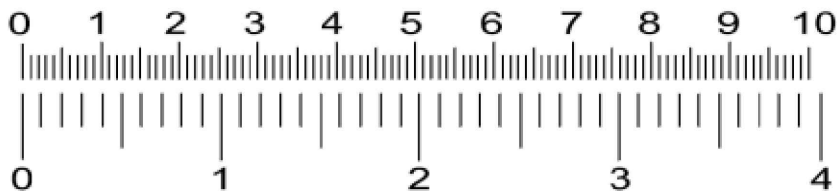
1. We recommend that you assemble this product with the assistance of another person; this will make the assembly easier, and will help eliminate damage to the product or injury to persons during assembly.
2. Please do not over tighten screws or bolts until the assembly is completed.
3. Please put all parts on a non-abrasive floor before assembly, and follow the assembly steps to assemble your newly purchased product correctly and efficiently.

## PARTS LIST

NO:	COMPONENT	SKETCH	Q'TY
A	HEADBOARD		1 PC
B	FOOTBOARD		1 PC
C	HEADBOARD LEFT SIDE FACING (LSF) LEG		1 PC
D	HEADBOARD RIGHT SIDE FACING (RSF) LEG		1 PC
E	HEADBOARD RAIL		1 PC
F	SIDE RAIL		2 PCS
G	ROLL-OUT SLAT		1 SET
H	SUPPORT LEG		4 PCS
I	FOOTBOARD LEFT SIDE FACING (LSF) LEG		1 PC
J	FOOTBOARD RIGHT SIDE FACING (RSF) LEG		1 PC
K	FOOTBOARD SUPPORT LEG		2 PCS

## HARDWARE LIST

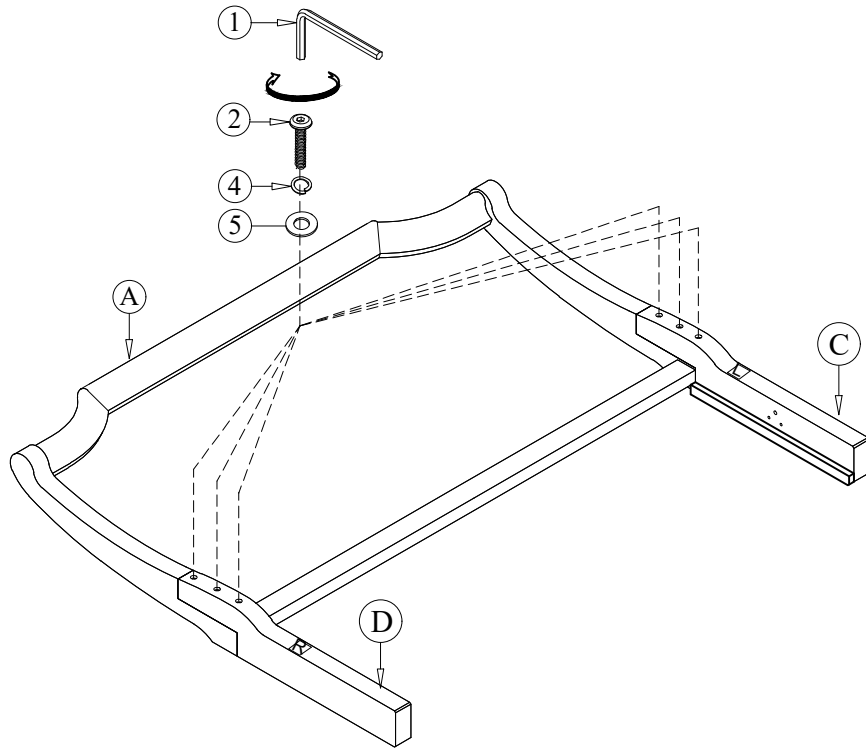
NO:	COMPONENT	SKETCH	Q'TY
1	ALLEN KEY		1 PC
2	BOLT 5/16"*3-3/4"L		6 PCS
3	BOLT 5/16"*1-1/2"L		2 PCS
4	LOCK WASHER 5/16"		8 PCS
5	FLAT WASHER PLATE 5/16"		8 PCS
6	ALLEN KEY		1 PC
7	BOLT 5/16"*1-3/4"L		2 PCS
8	LOCK WASHER 5/16"		2 PCS
9	FLAT WASHER PLATE 5/16"		2 PCS
10	BOLT 1/4"*1-1/2"L		4 PCS
11	LOCK WASHER 1/4"		4 PCS
12	FLAT WASHER PLATE 1/4"		4 PCS
13	SCREW 8*1"		26 PCS



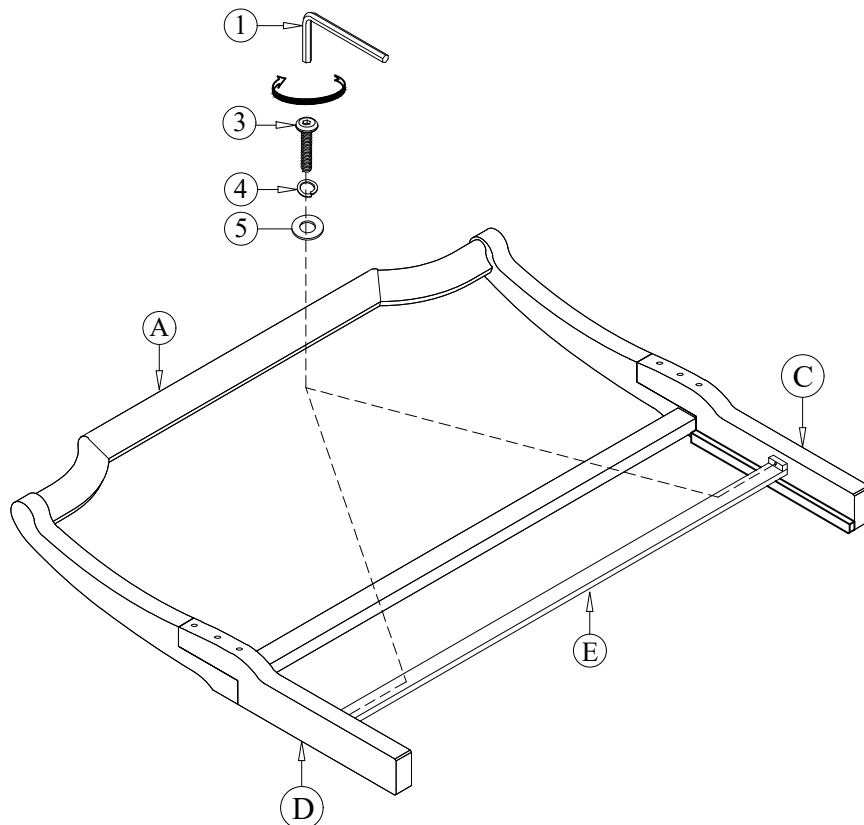
# Assembly Instructions

ITEM: B493 -310 LYNDHURST 5"0" Q HEADBOARD  
 B493 -328 LYNDHURST 5"0" Q STG FOOTBOARD & SLATS  
 B493 -330 LYNDHURST 5"0"/6"6" Q/EK RAILS

STEP 1 Assemble Headboard LSF Leg (C) and Headboard RSF Leg (D) by using Allen Key (1) with hardware 2, 4, and 5.  
 \*DO NOT TIGHTEN THE BOLTS



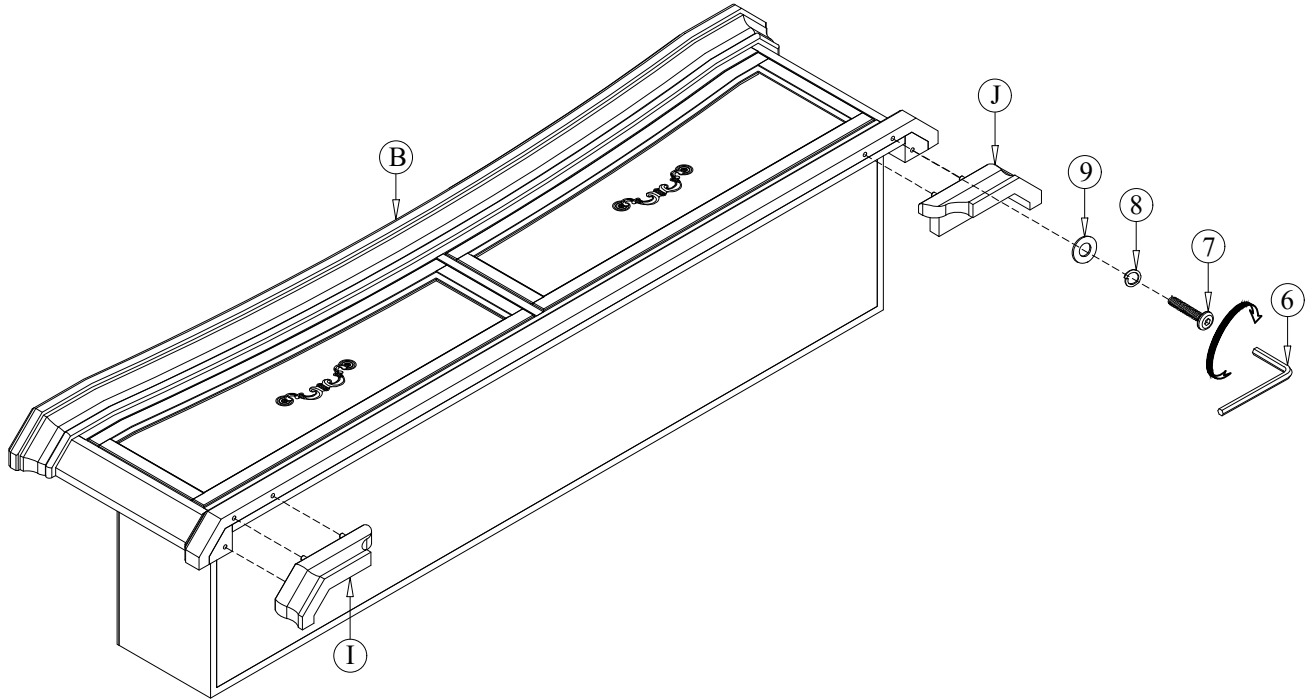
STEP 2 Assemble the headboard cross bar (E) to headboard legs (C & D) by using Allen Key (1) with hardware 3, 4, and 5.  
 \*TIGHTEN ALL THE BOLTS BY USING ALLEN KEY (1)



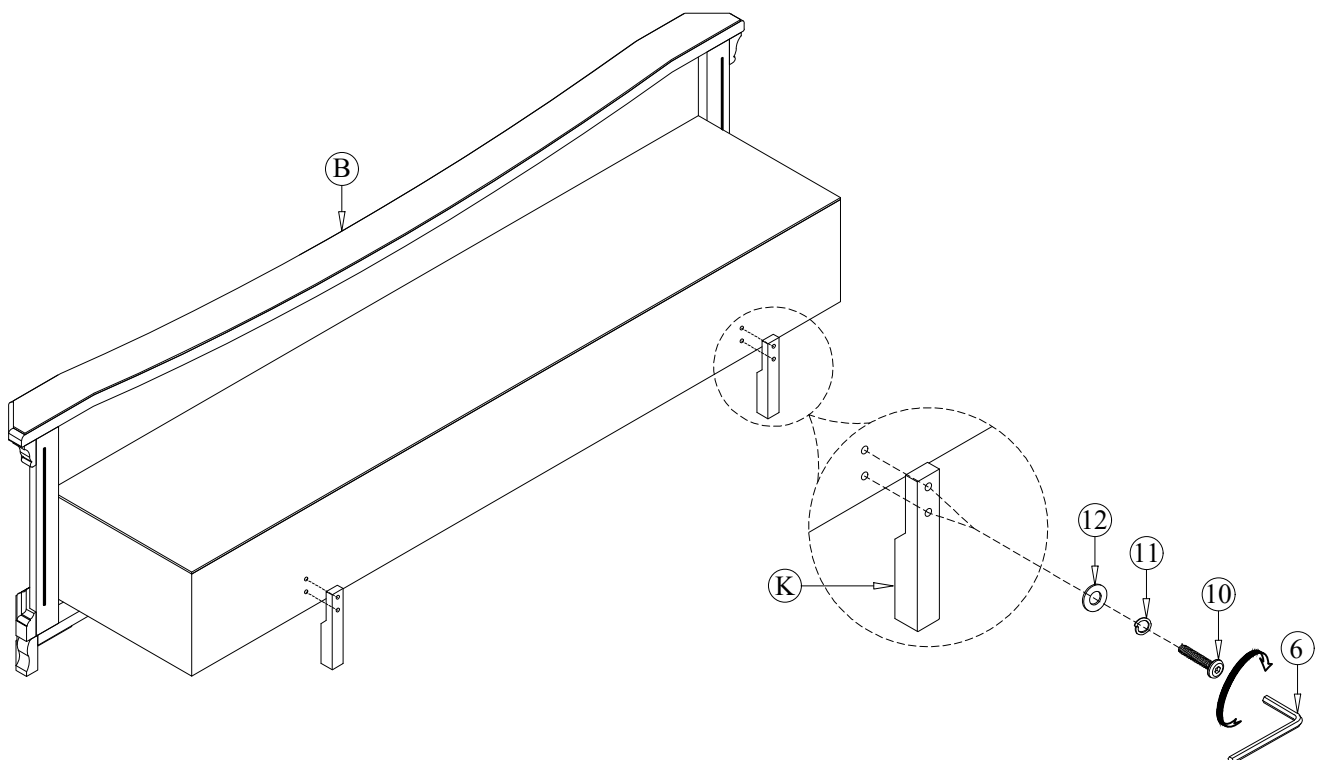
# Assembly Instructions

ITEM: B493 -310 LYNDHURST 5"0" Q HEADBOARD  
B493 -328 LYNDHURST 5"0" Q STG FOOTBOARD & SLATS  
B493 -330 LYNDHURST 5"0"/6"6" Q/EK RAILS

STEP 3 Assemble Footboard LSF Leg (I) and Footboard RSF Leg (J) by using Allen Key (6) with hardware 7, 8, and 9.



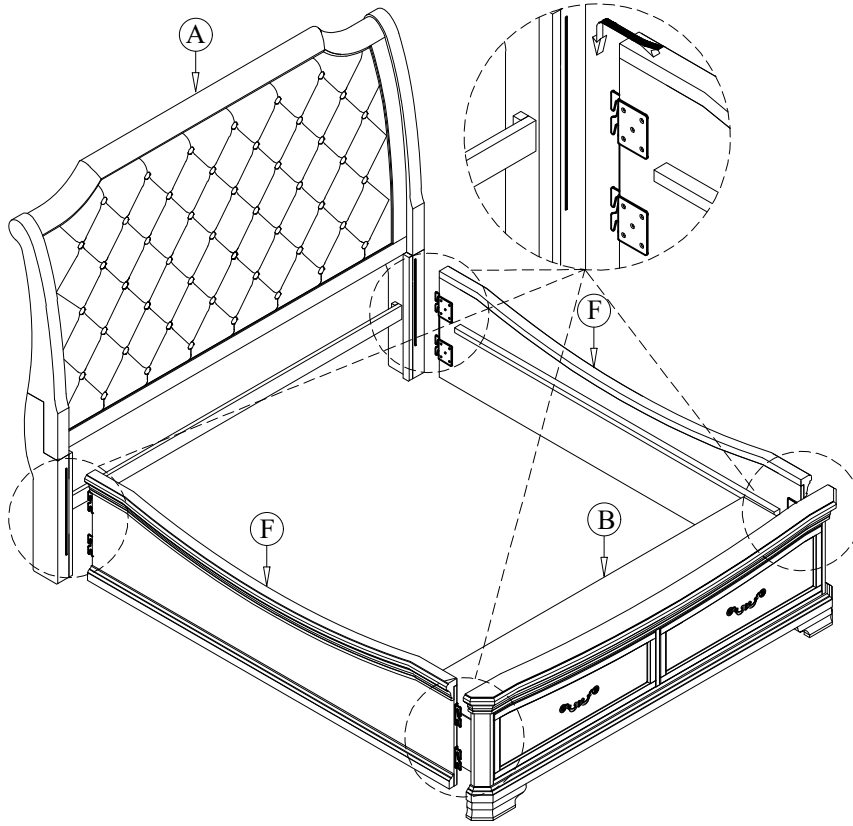
STEP 4 Assemble the footboard support leg (K) to storage footboard (B) by using allen key (6) with hardware 10, 11, 12



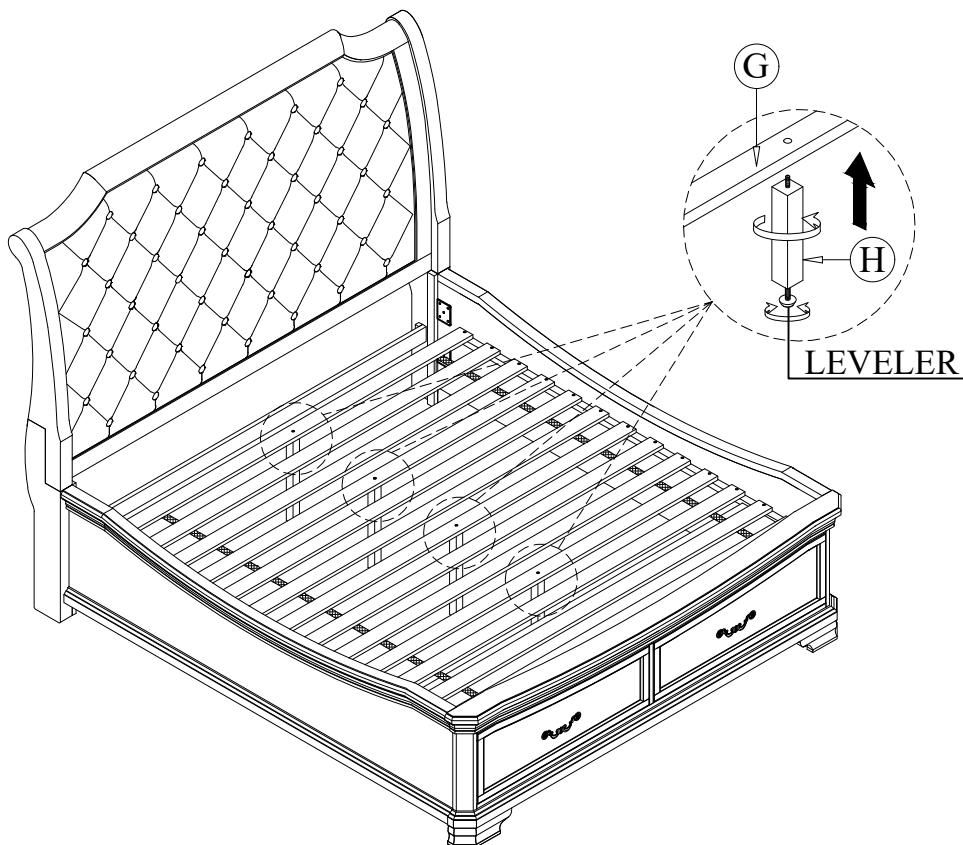
# Assembly Instructions

ITEM: B493 -310 LYNDHURST 5"0" Q HEADBOARD  
B493 -328 LYNDHURST 5"0" Q STG FOOTBOARD & SLATS  
B493 -330 LYNDHURST 5"0"/6"6" Q/EK RAILS

STEP 5 Assemble side rails (F) with Headboard LSF and RSF leg (C & D) with Footboard (B).



STEP 6 Install the support legs (H) on to the slat (G)



# Assembly Instructions

ITEM: B493 -310 LYNDHURST 5"0" Q HEADBOARD  
B493 -328 LYNDHURST 5"0" Q STG FOOTBOARD & SLATS  
B493 -330 LYNDHURST 5"0"/6"6" Q/EK RAILS

STEP 7 Assemble the slat (G) to the side rails (F) by using a screwdriver with hardware 13.

