

# Assembly Instructions

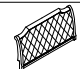
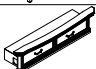

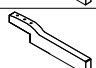




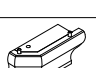
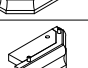
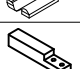
**ITEM: B493 -110 LYNDHURST 6"6"/6"0" K HEADBOARD**  
**B493 -128 LYNDHURST 6"6"/6"0" K STG FOOTBOARD & SLATS**  
**B493 -330 LYNDHURST 5"0"/6"6" Q/EK RAILS**

**Thank you for purchasing this quality product. Be sure to check all packing materials carefully for small parts, which may have come loose inside the carton during shipment. Identify and count all items and compare with the PARTS LIST and/or HARDWARE LIST shown below.**


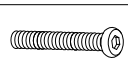
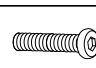
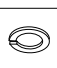
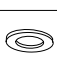
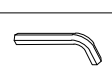
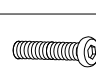
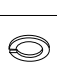
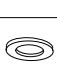
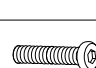
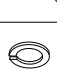


**Caution: Please read the instructions thoroughly before assembly.**

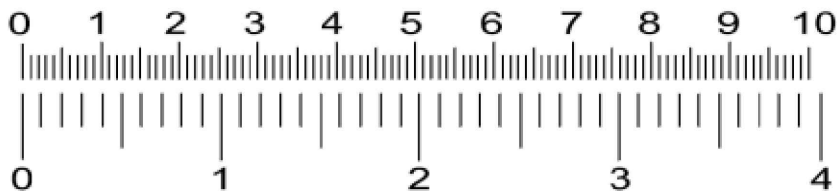
1. We recommend that you assemble this product with the assistance of another person; this will make the assembly easier, and will help eliminate damage to the product or injury to persons during assembly.
2. Please do not over tighten screws or bolts until the assembly is completed.
3. Please put all parts on a non-abrasive floor before assembly, and follow the assembly steps to assemble your newly purchased product correctly and efficiently.

## PARTS LIST

| NO: | COMPONENT                             | SKETCH  | Q'TY  |
|-----|---------------------------------------|---|-------|
| A   | HEADBOARD                             |    | 1 PC  |
| B   | FOOTBOARD                             |    | 1 PC  |
| C   | HEADBOARD LEFT SIDE FACING (LSF) LEG  |    | 1 PC  |
| D   | HEADBOARD RIGHT SIDE FACING (RSF) LEG |    | 1 PC  |
| E   | HEADBOARD RAIL                        |   | 1 PC  |
| F   | SIDE RAIL                             |  | 2 PCS |
| G   | ROLL-OUT SLAT                         |  | 1 SET |
| H   | SUPPORT LEG                           |  | 8 PCS |
| I   | LEG FOOTBOARD LEFT                    |  | 1 PC  |
| J   | LEG FOOTBOARD RIGHT                   |  | 1 PC  |
| K   | FOOTBOARD SUPPORT LEG                 |  | 2 PCS |

## HARDWARE LIST

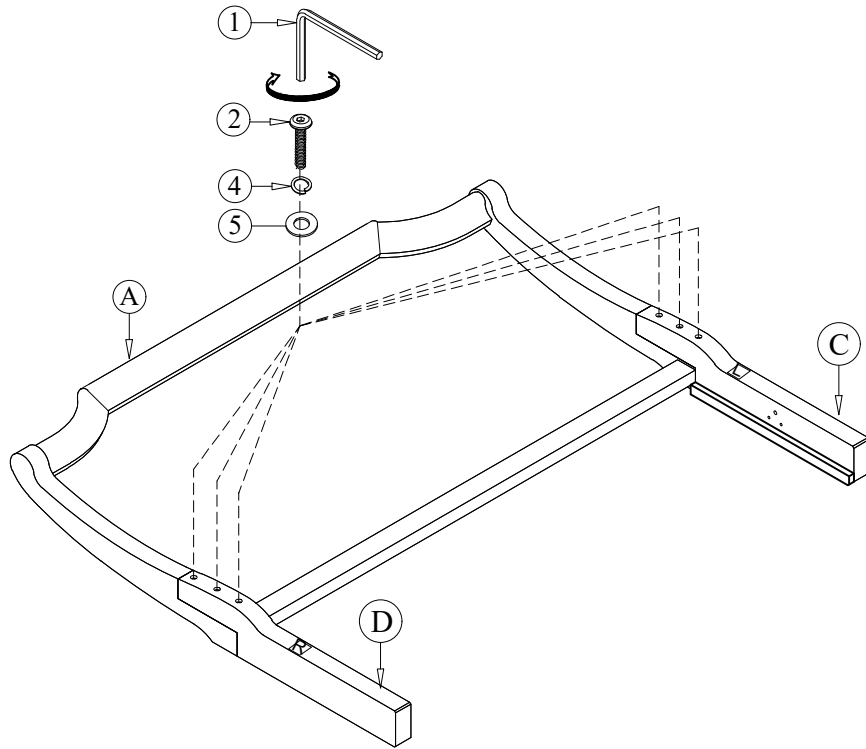
| NO: | COMPONENT               | SKETCH   | Q'TY   |
|-----|-------------------------|--|--------|
| 1   | ALLEN KEY               |                                 | 1 PC   |
| 2   | BOLT 5/16"*3-3/4"L      |    | 6 PCS  |
| 3   | BOLT 5/16"*1-1/2"L      |    | 2 PCS  |
| 4   | LOCK WASHER 5/16"       |                      | 8 PCS  |
| 5   | FLAT WASHER PLATE 5/16" |                     | 8 PCS  |
| 6   | ALLEN KEY               |                               | 1 PC   |
| 7   | BOLT 5/16"*1-3/4"L      |  | 2 PCS  |
| 8   | LOCK WASHER 5/16"       |                    | 2 PCS  |
| 9   | FLAT WASHER PLATE 5/16" |                    | 2 PCS  |
| 10  | BOLT 1/4"*1-1/2"L       |  | 4 PCS  |
| 11  | LOCK WASHER 1/4"        |                    | 4 PCS  |
| 12  | FLAT WASHER PLATE 1/4"  |                    | 4 PCS  |
| 13  | SCREW 8*1"              |                    | 26 PCS |



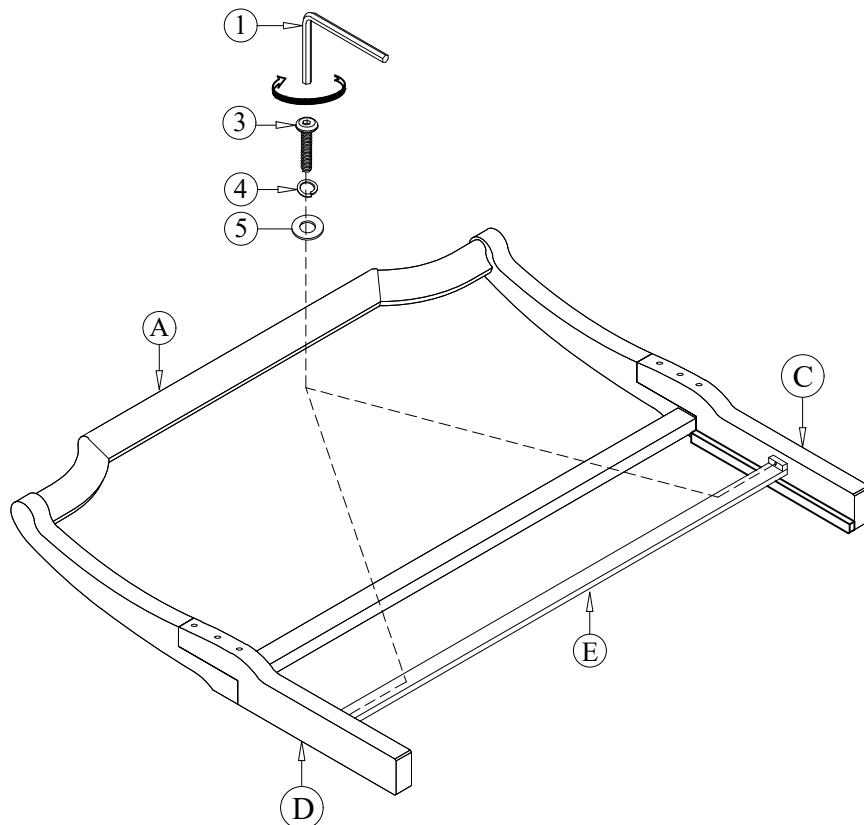
# Assembly Instructions

ITEM: B493 -110 LYNDHURST 6"6"/6"0" K HEADBOARD  
 B493 -128 LYNDHURST 6"6"/6"0" K STG FOOTBOARD & SLATS  
 B493 -330 LYNDHURST 5"0"/6"6" Q/EK RAILS

STEP 1 Assemble Headboard LSF Leg (C) and Headboard RSF Leg (D) by using Allen Key (1) with hardware 2, 4, and 5.  
 \*DO NOT TIGHTEN THE BOLTS



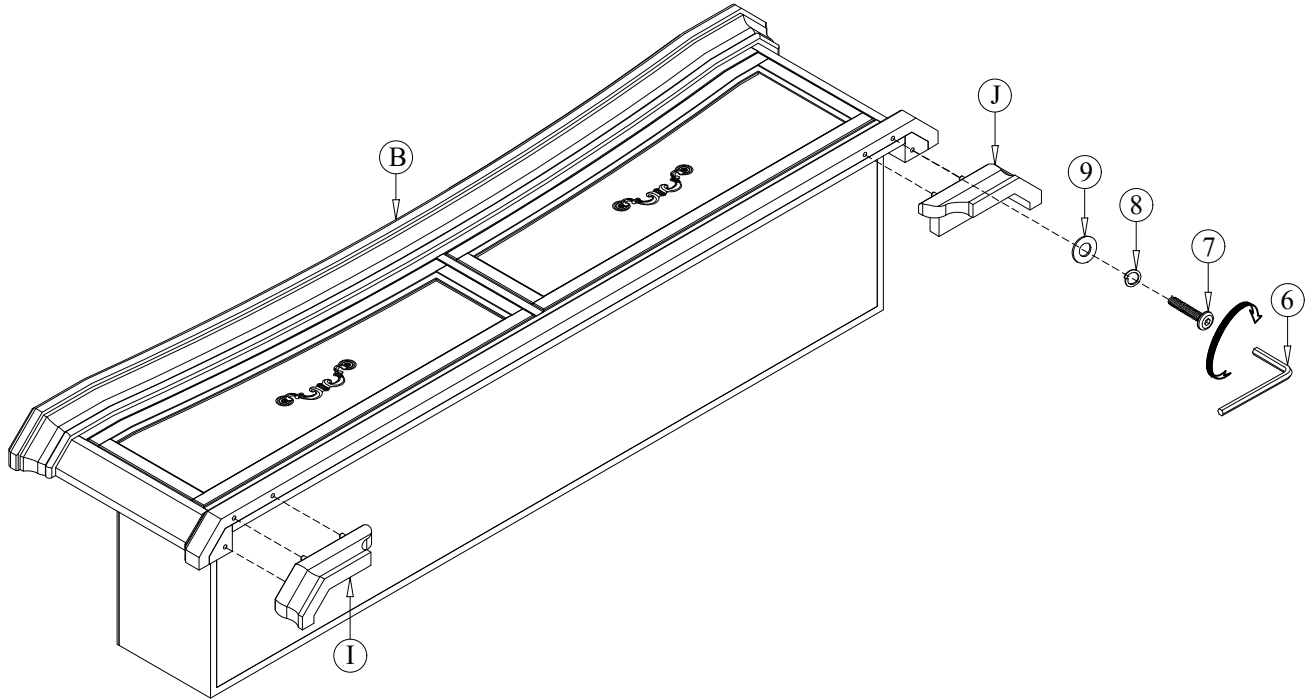
STEP 2 Assemble the headboard cross bar (E) to headboard legs (C & D) by using Allen Key (1) with hardware 3, 4, and 5.  
 \*TIGHTEN ALL THE BOLTS BY USING ALLEN KEY (1)



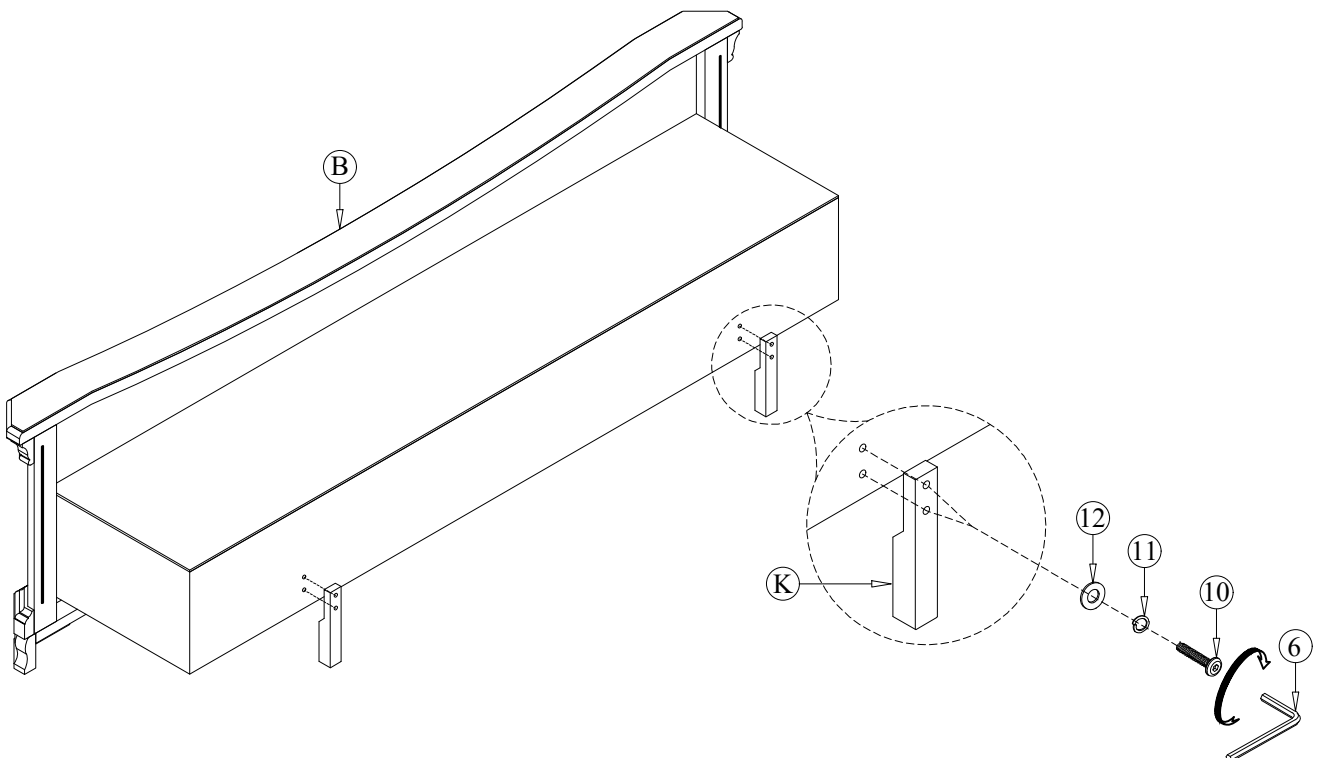
# Assembly Instructions

ITEM: B493 -110 LYNDHURST 6"6"/6"0" K HEADBOARD  
 B493 -128 LYNDHURST 6"6"/6"0" K STG FOOTBOARD & SLATS  
 B493 -330 LYNDHURST 5"0"/6"6" Q/EK RAILS

STEP 3 Assemble Footboard LF Leg (I) and Footboard RF Leg (J) by using Allen Key (6) with hardware 7, 8, and 9.



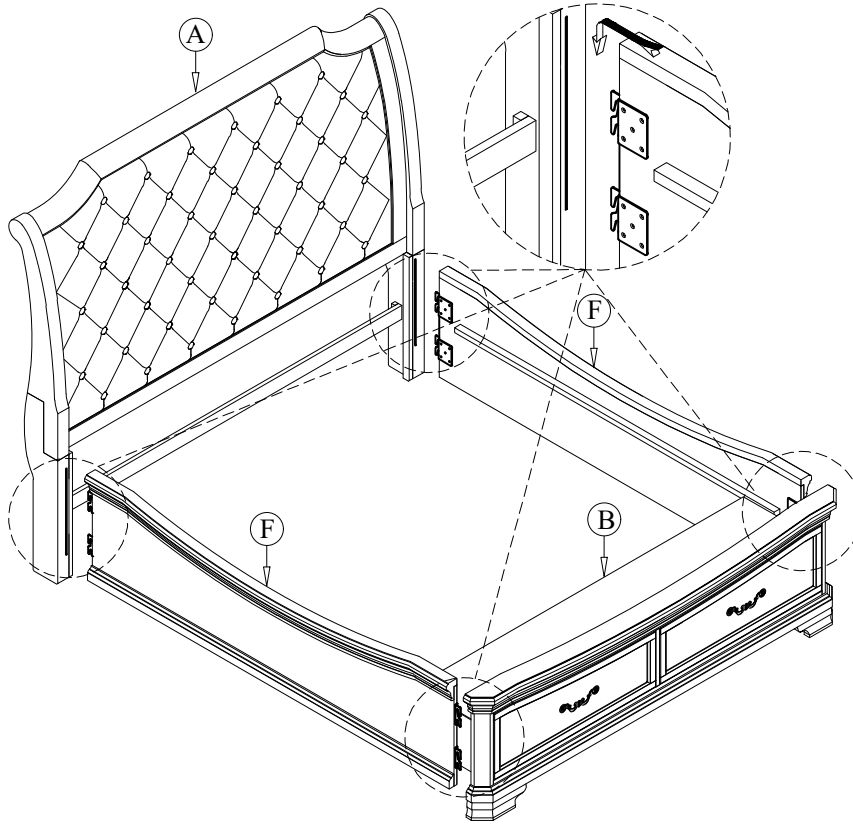
STEP 4 Assemble the footboard support leg (I) to storage footboard by using allen key (6) with hardware 10, 11, 12



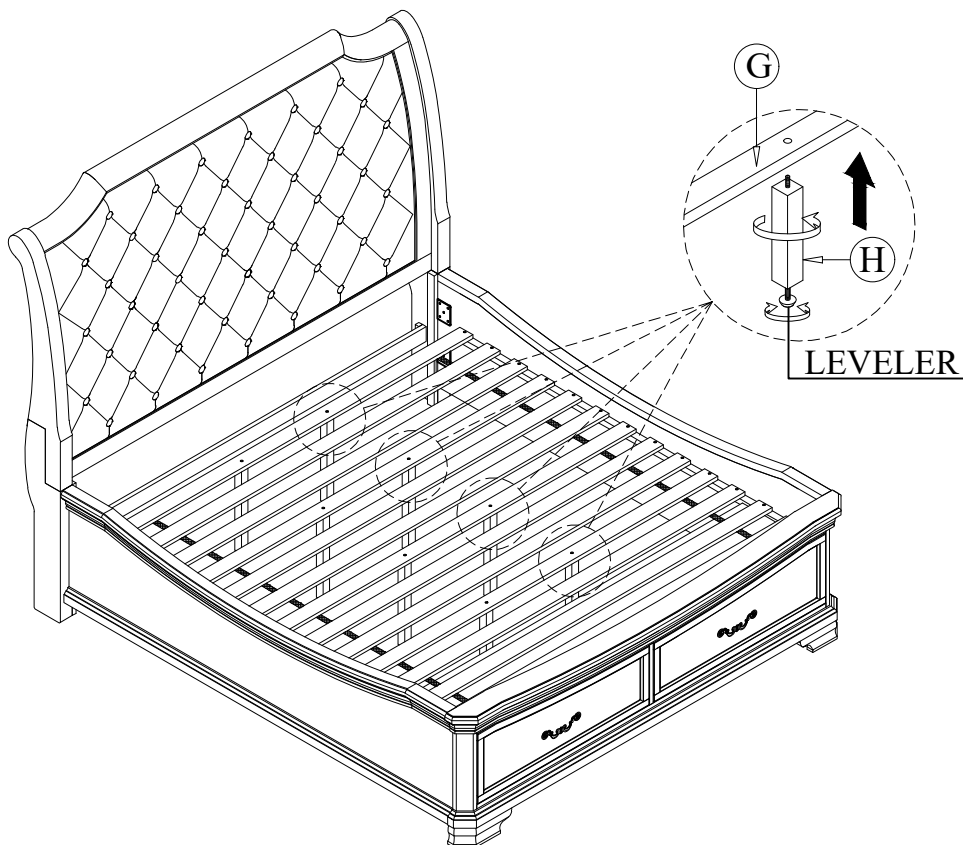
# Assembly Instructions

ITEM: B493 -110 LYNDHURST 6"6"/6"0" K HEADBOARD  
B493 -128 LYNDHURST 6"6"/6"0" K STG FOOTBOARD & SLATS  
B493 -330 LYNDHURST 5"0"/6"6" Q/EK RAILS

**STEP 5** Assemble side rails (F) with Headboard (A) and Footboard (B)



**STEP 6** Install the support legs (G) on to the slat (F)



# Assembly Instructions

ITEM: B493 -110 LYNDHURST 6"6"/6"0" K HEADBOARD  
B493 -128 LYNDHURST 6"6"/6"0" K STG FOOTBOARD & SLATS  
B493 -330 LYNDHURST 5"0"/6"6" Q/EK RAILS

STEP 7 Assemble the slat (G) to the side rails (F) by using a screwdriver with hardware 13.

