

Assembly Instructions





ITEM: B493-050 LYNDHURST DRESSER
B493-060 LYNDHURST LANDSCAPE MIRROR

Thank you for purchasing this quality product. Be sure to check all packing materials carefully for small parts, which may have come loose inside the carton during shipment. Identify and count all items and compare with the PARTS LIST and/or HARDWARE LIST shown below.





Caution: Please read the instructions thoroughly before assembly.

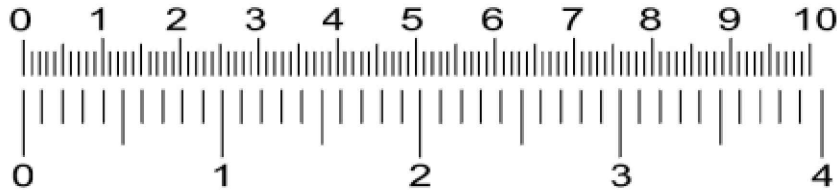
1. We recommend that you assemble this product with the assistance of another person; this will make the assembly easier, and will help eliminate damage to the product or injury to persons during assembly.
2. Please do not over tighten screws or bolts until the assembly is completed.
3. Please put all parts on a non-abrasive floor before assembly, and follow the assembly steps to assemble your newly purchased product correctly and efficiently.

PARTS LIST

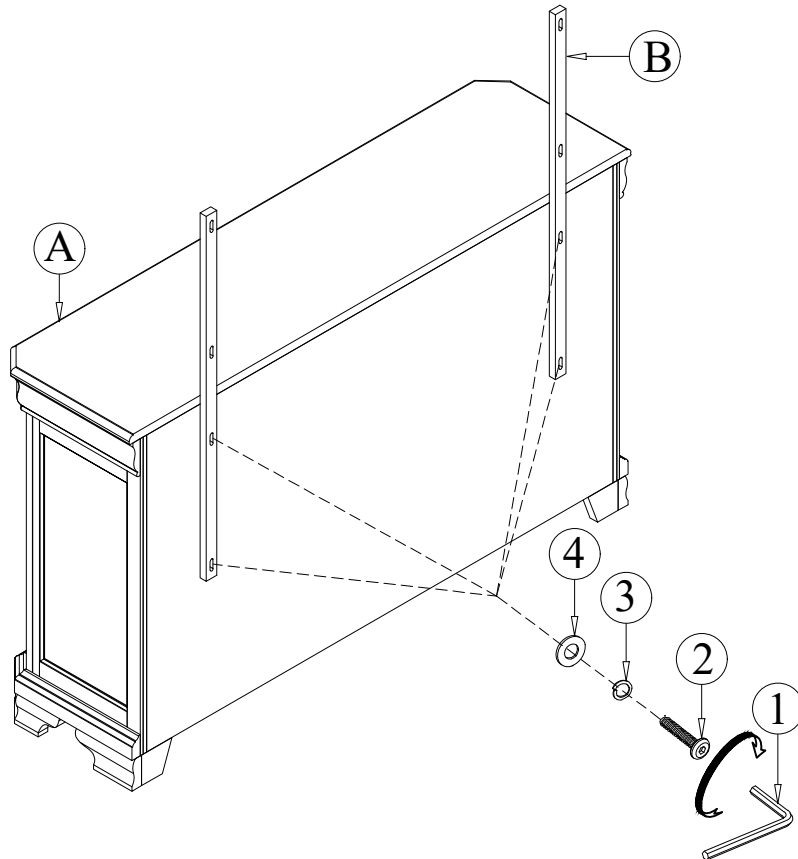
NO:	COMPONENT	SKETCH	Q'TY
A	DRESSER		1 PC
B	MIRROR SUPPORT		2 PCS
C	MIRROR		1 PC
D	ANTI-TIPPING KIT		1 SET

HARDWARE LIST

NO:	COMPONENT	SKETCH	Q'TY
1	ALLEN KEY		1 PC
2	BOLT 1/4"*1-1/2"L		8 PCS
3	LOCK WASHER 1/4"		8 PCS
4	FLAT WASHER PLATE 1/4"		8 PCS



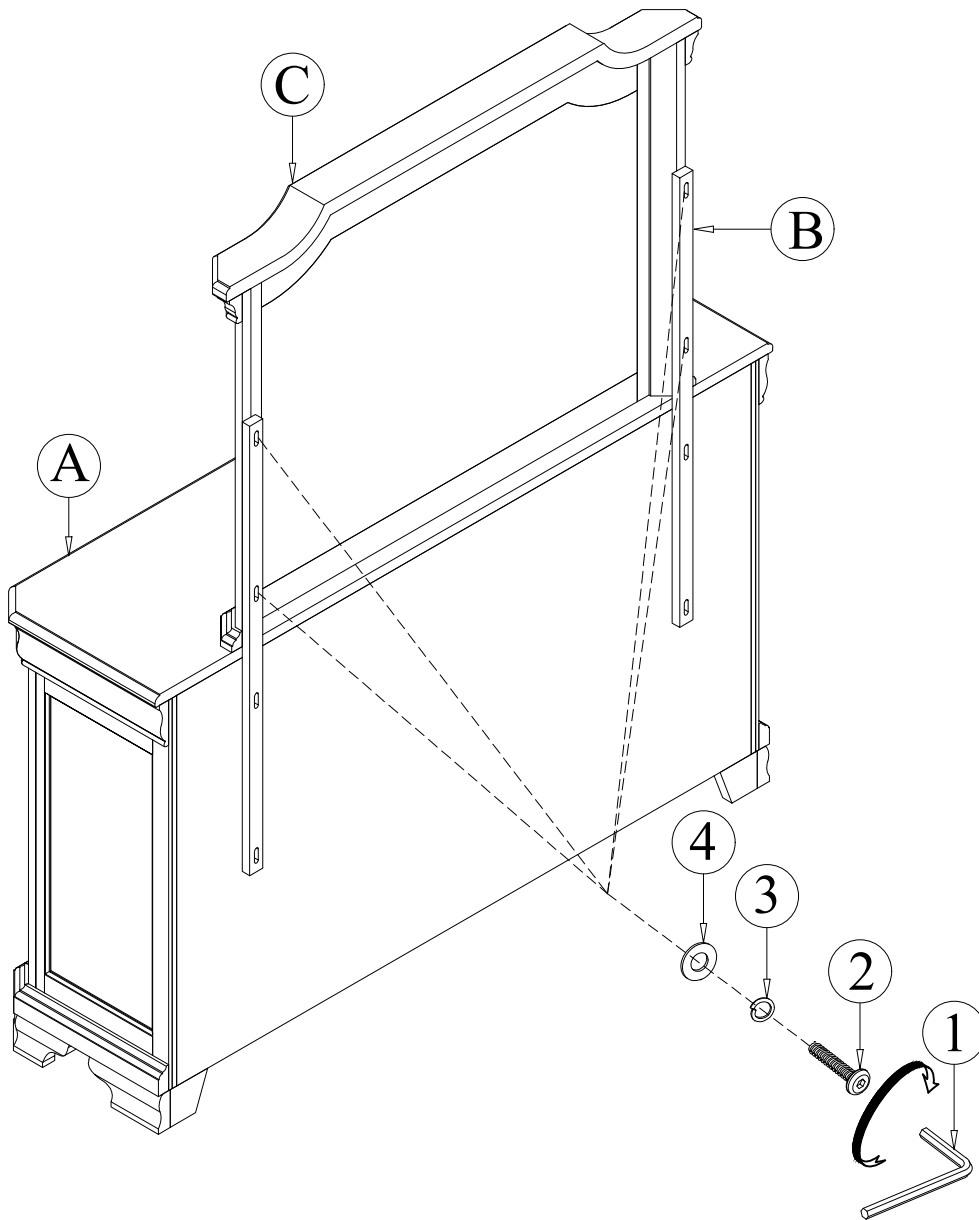
STEP 1 Assemble the mirror support (B) to the dresser (A) first by using Allen Key (1) with hardware 2, 3, and 4.



Assembly Instructions

ITEM: B493-050 LYNDHURST DRESSER
B493-060 LYNDHURST LANDSCAPE MIRROR

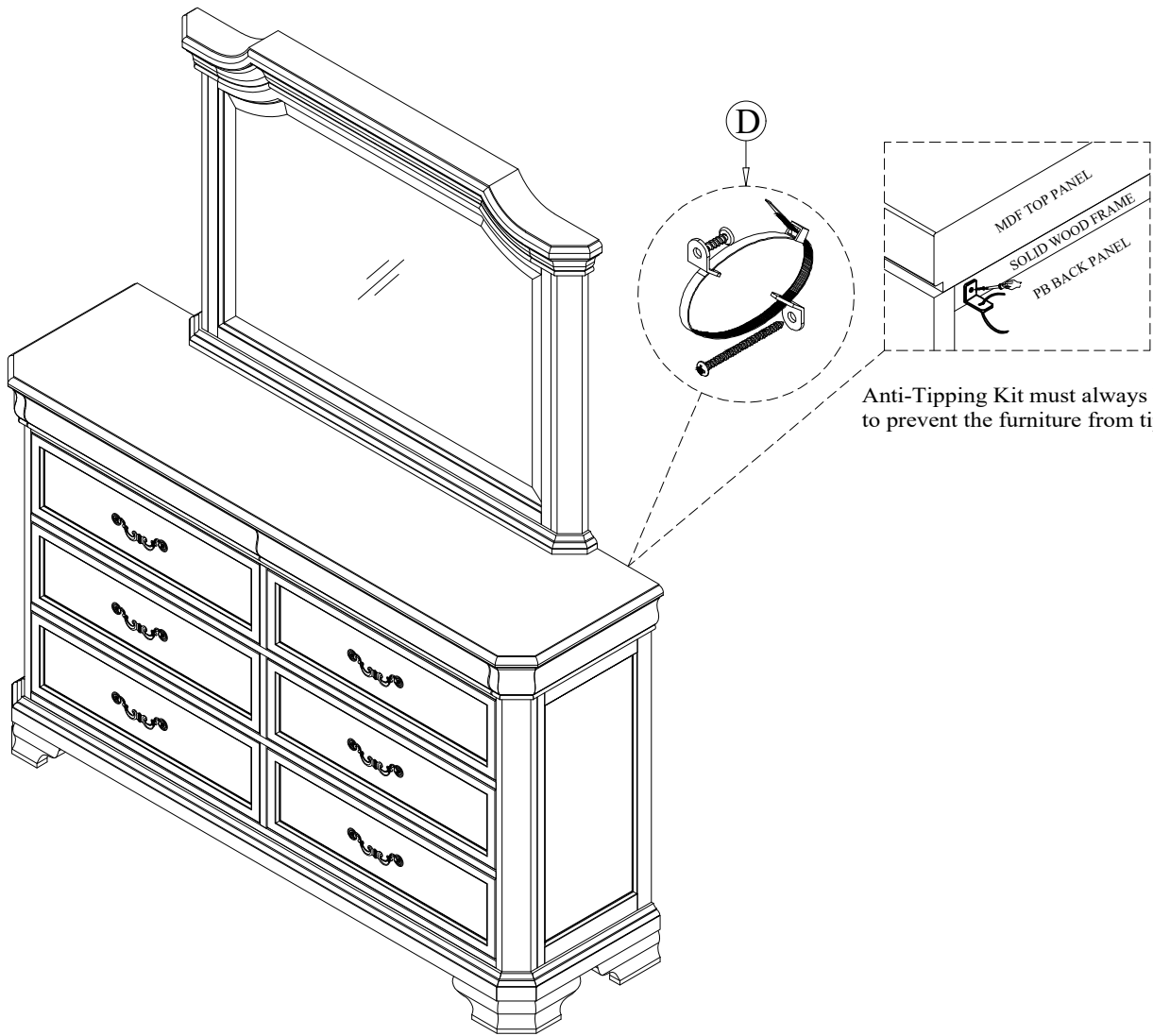
STEP 2 Then assemble mirror support (B) with mirror (C) by using Allen Key (1) with hardware 2, 3, and 4.



Assembly Instructions

ITEM: B493-050 LYNDHURST DRESSER
B493-060 LYNDHURST LANDSCAPE MIRROR

STEP 3 Installing anti-tipping kit: Following the installation instructions that come in the tip-restraint package. Assemble is complete.



Anti-Tipping Kit must always be used to prevent the furniture from tipping.