

Assembly Instructions



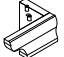


ITEM: B493-040 LYNDHURST NIGHTSTAND

Thank you for purchasing this quality product. Be sure to check all packing materials carefully for small parts, which may have come loose inside the carton during shipment. Identify and count all items and compare with the PARTS LIST and/or HARDWARE LIST shown below.





Caution: Please read the instructions thoroughly before assembly.

1. We recommend that you assemble this product with the assistance of another person; this will make the assembly easier, and will help eliminate damage to the product or injury to persons during assembly.
2. Please do not over tighten screws or bolts until the assembly is completed.
3. Please put all parts on a non-abrasive floor before assembly, and follow the assembly steps to assemble your newly purchased product correctly and efficiently.

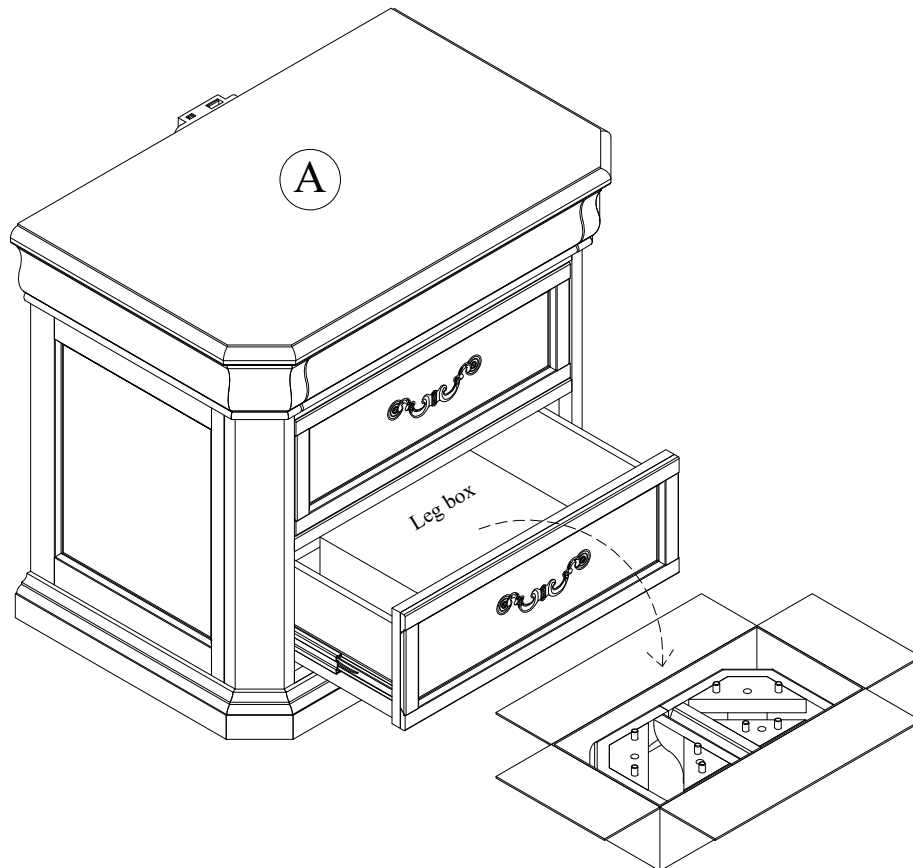
PARTS LIST

NO:	COMPONENT	SKETCH	Q'TY
A	NIGHTSTAND		1 PC
B	FRONT LEG		2 PCS
C	RIGHT SIDE FACING (RSF) BACK LEG		1 PC
D	LEFT SIDE FACING (LSF) BACK LEG		1 PC
E	ANTI-TIPPING KIT		1 SET

HARDWARE LIST

NO:	COMPONENT	SKETCH	Q'TY
1	ALLEN KEY		1 PC
2	BOLT 5/16"*1-3/4"L		4 PCS
3	LOCK WASHER 5/16"		4 PCS
4	FLAT WASHER PLATE 5/16"		4 PCS

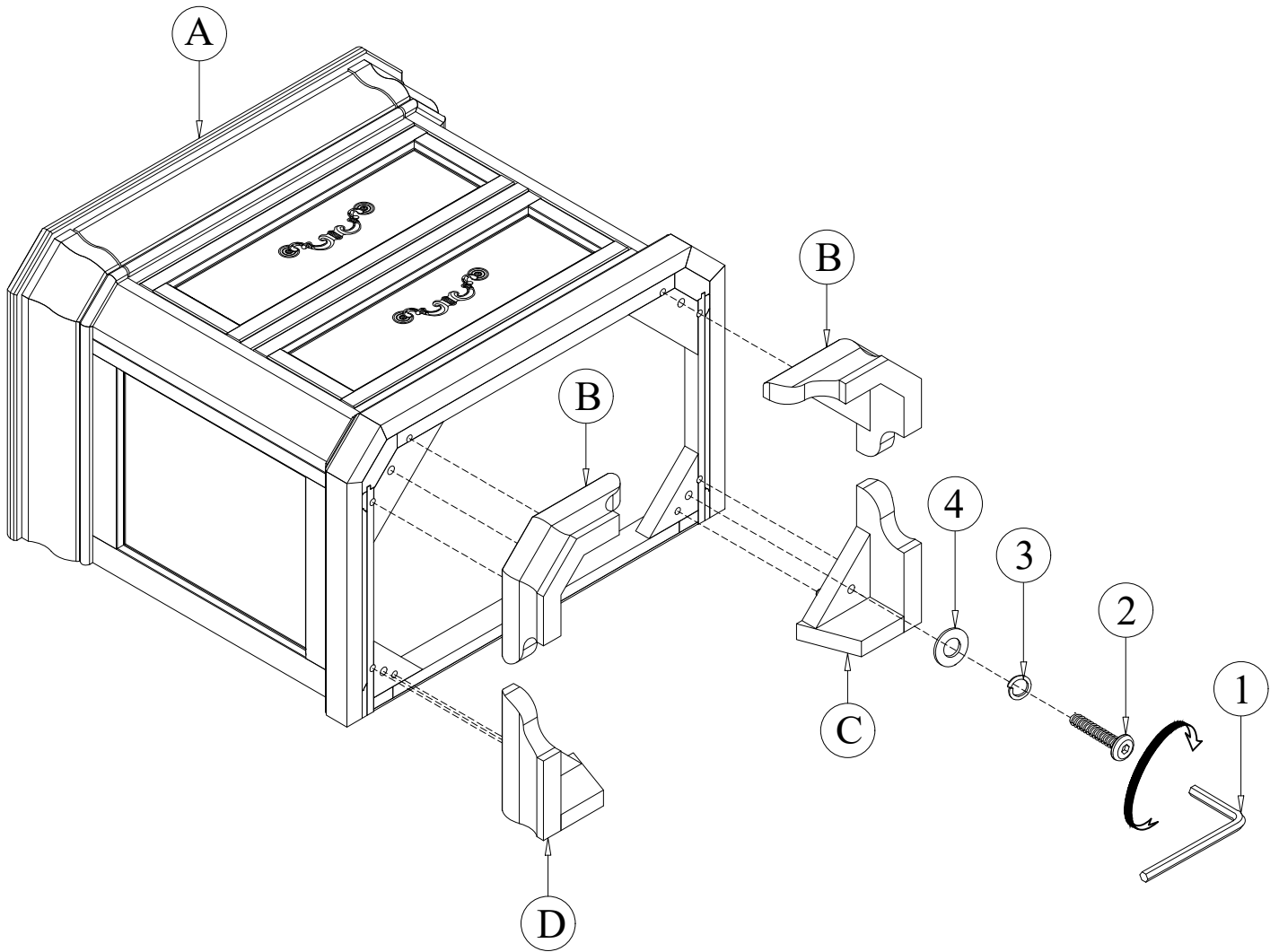
STEP 1 Locate the leg box in the bottom drawer.



Assembly Instructions

ITEM: B493-040 LYNDHURST NIGHTSTAND

STEP 2 Place the nightstand (A) back down on a clean, soft, and flat surface such as a blanket to ensure the surface is free of any object that could scratch or damage the nightstand (A). Then assemble legs (B, C, & D) to the nightstand (A) by using Allen Key (1) with hardware 2, 3, and 4.



Assembly Instructions

ITEM: B493-040 LYNDHURST NIGHTSTAND

STEP 3 Install the anti-tipping kit following the installation instructions in the package.

