

ASSEMBLY INSTRUCTIONS

BISCAYNE COLLECTION

MODEL : B3314-115 BISCAYNE 6/6 EK HB, FB, & SLATS

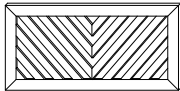
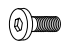











MODEL : B3314-335 BISCAYNE 6/6-5/0 EK/Q SIDE RAIL

Thank you for purchasing this quality product. Be sure to check all packing materials carefully for small parts, which may have come loose inside the carton during shipment. Identify and count all items and compare with the parts list and/or hardware list shown below.

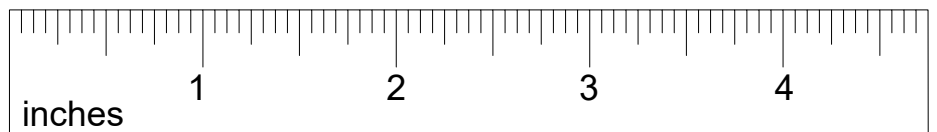
Please read all instructions carefully. See the hardware and furniture part listing for guidance. Be sure you have all parts listed before beginning assembly. Place all wooden parts on a clean, flat surface to protect the finish from scratches. Follow the diagram to assemble.

CAUTION

1. Do not fully tighten the nuts or bolts until the table is fully assembled.
2. Please tighten by hand, not by a drill. Overtightening will damage threads. Do not overtighten.
3. Keep all hardware out of the reach of children.

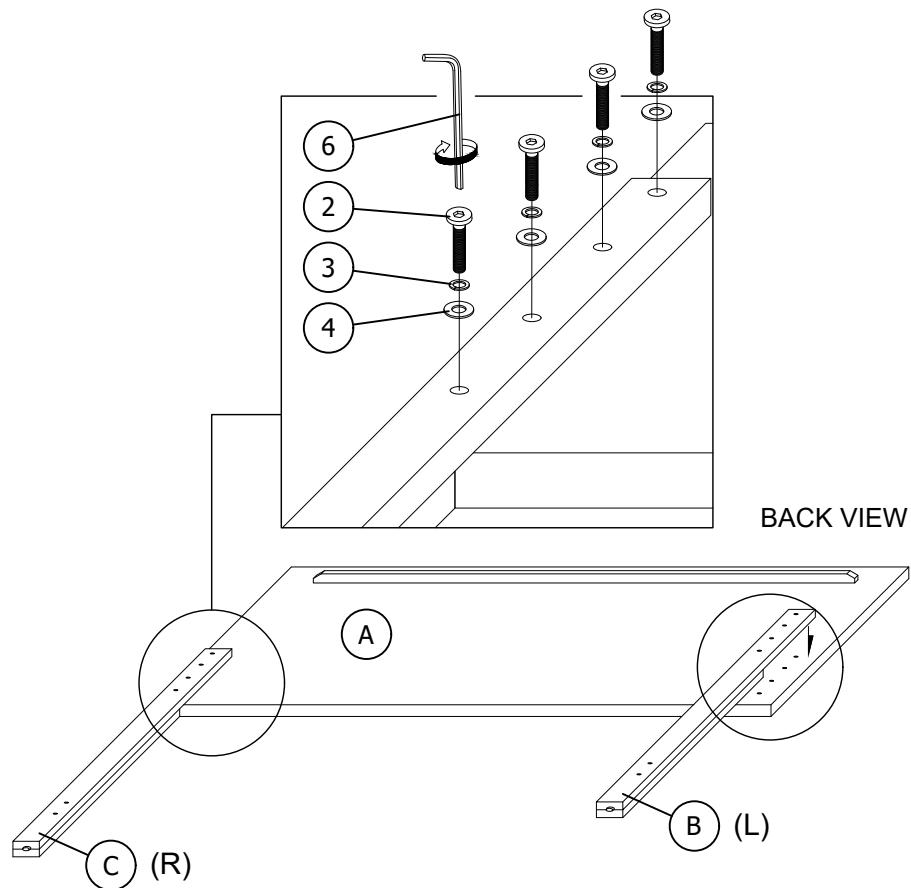
PARTS LIST				HARDWARE LIST			
ITEM	DESCRIPTION	SKETCH	QTY	ITEM	DESCRIPTION	SKETCH	QTY
A	HEADBOARD		1 PC	1	BOLT M8 x 5/8"		8 PCS
B	HEADBOARD LEG (L)		1 PC	2	BOLT M8 x 1 9/16"		8 PCS
C	HEADBOARD LEG (R)		1 PC	3	SPRING WASHER M6 x 5/16"		8 PCS
D	FOOTBOARD		1 PC	4	FLAT WASHER M6 x 5/16"		8 PCS
E	SIDE RAIL		2 PCS	5	CSK SCREW M4 x 1 1/4"		8 PCS
F	SLAT		4 PCS	6	ALLEN KEY M5 x 2 9/16"		1 PC
G	SUPPORT LEG		8 PCS				

HARDWARE DIMENSIONS
VERIFICATION TOOL



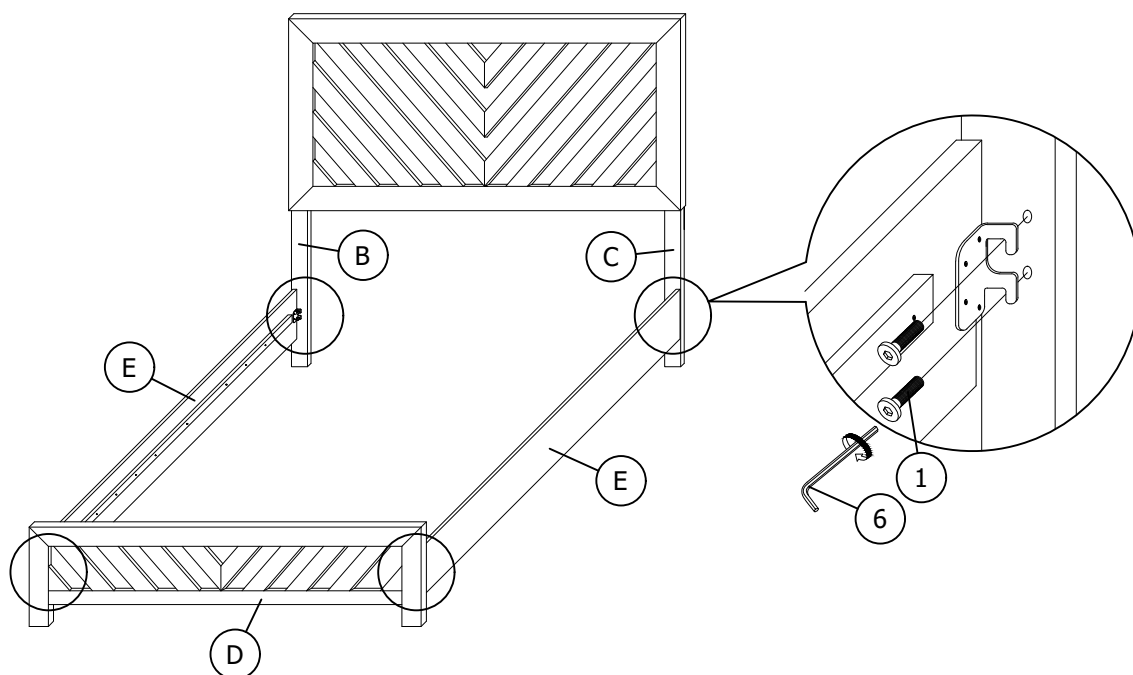
STEP 1: Assemble the Headboard Leg (B) and (C) with the Headboard (A) by using Allen Key (6) with hardware (2), (3) and (4).

**** Attention: DO NOT OVER TIGHTEN THE BOLTS.**



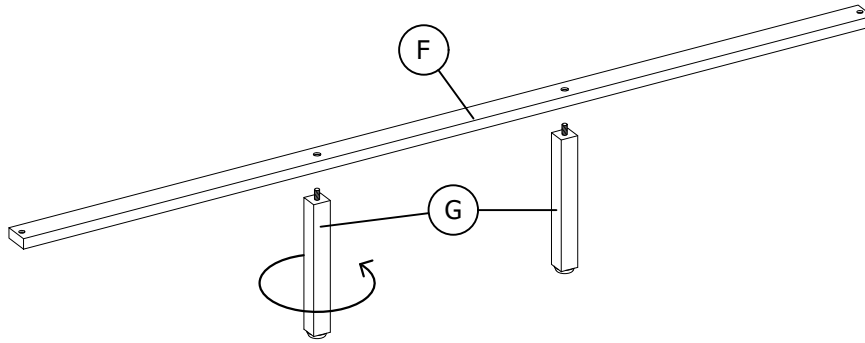
STEP 2: Assemble the Side Rail (E) with the Headboard Leg (B), Headboard Leg (C) and Footboard (D) by using Allen Key (6) with hardware (1).

**** Attention: DO NOT OVER TIGHTEN THE BOLTS.**

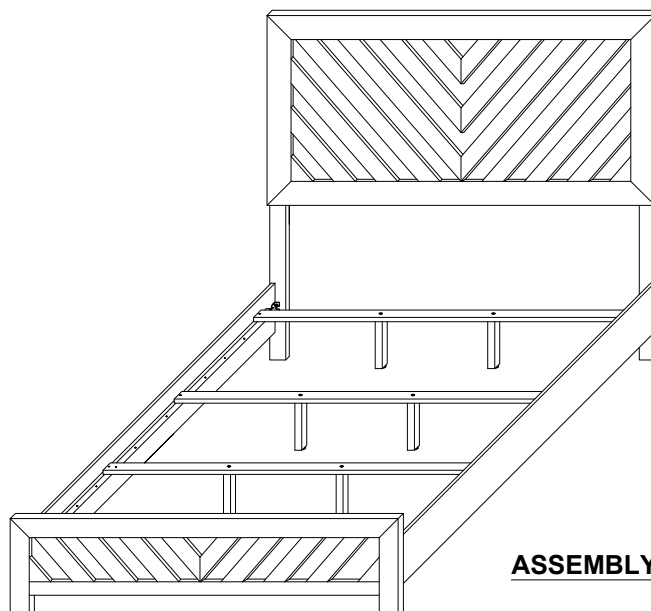
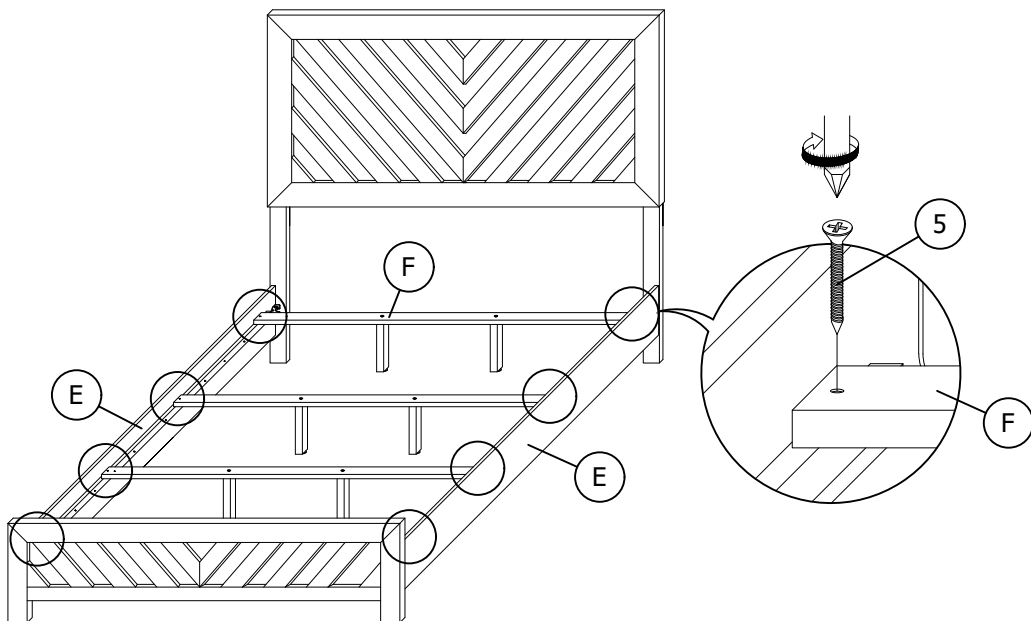


STEP 3: Turn the Support Leg (G) clockwise to assemble it with the Slat (F).
Repeat this step for another Support Leg (G) and Slat (F).

x4



STEP 4: Assemble the Slat (F) with the Side Rail (E) by using CSK Screw (5).
** Attention: DO NOT OVER TIGHTEN THE SCREW.



ASSEMBLY COMPLETED